



How to install display rack...

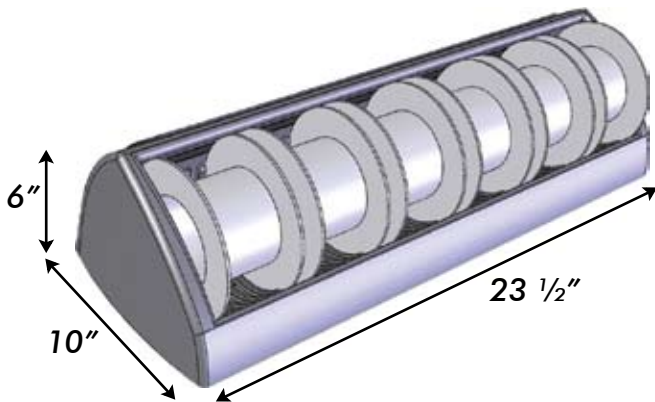
Display Rack

Techflex Part # DSN0.00BK



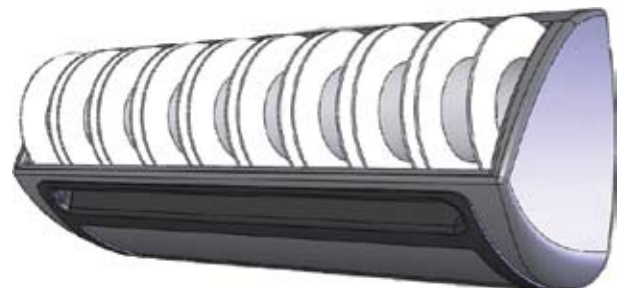
For By-The-Foot Sales & Easy Access and Inventory Management

Spool and product management is now simpler and more efficient than ever. Our new display/dispenser rack allows easy control of sleeving inventories and provides a controlled system of neatly dispensing directly from the spools. The rack is constructed from tough ABC plastic, with plenty of room for a wide range of products. The spools simply drop into the pre-formed slots and turn freely for dispensing. Full visibility and access ensures easy management of remaining inventory and simple drop-in replacement of empty spools.



←... Space saving, easy access design

Engineered for easy and secure wall mounting ...→



The display racks can be installed on:

- a). Slot Wall
- b). Grid Wall
- c). Counter
- d). Wall



How to install display rack...

a). SLOT WALL

Step 1
Insert screws in Z plate.



Step 2
Install plates on a slot wall.



Step 3
Mount rack aligning screws.



Step 4
Install nuts.



Step 5
Display rack on a slot wall.



b). GRID WALL

Step 1
Insert screws through a grid wall hook into the back of a display rack.



Step 2
Install nuts.



Step 3
Hang display rack on a grid wall.



The display rack holds up to 6 - 3" spools.

c). COUNTER

Place your display rack on any flat surface.



d). WALL

Screw your display rack directly to the wall.



You can also add anchors for extra support.

