



CRYSTEK
MICROWAVE
 A DIVISION OF CRYSTEK CORPORATION

RF
POCKET
REFERENCE
OSCILLATOR

New
RFPRO Series



Actual Size

Crystek's new **RFPRO** Series, **RF** Pocket **R**eference **O**scillator is an industry first! A complete SineWave SAW(surface acoustic wave) oscillator has been integrated in a rugged SMA housing. Simply connect +3.3Vdc to the female SMA side, and it will output a clean -135dBc/Hz phase noise signal at 10Khz offset. In effect, each **RFPRO** is a fixed frequency portable signal generator with an operating temperature of -20°C to 70°C. Available off the shelf in 500Mhz and 1Ghz frequency output. Perfect for Lab use.



CRYSTEK
 CORPORATION

12730 COMMONWEALTH DRIVE • FORT MYERS, FL 33913
 PHONE: 239-561-3311 • 800-237-3061
 FAX: 239-561-1025 • WWW.CRYSTEK.COM

Rev.: A
 Date: 06-29-09



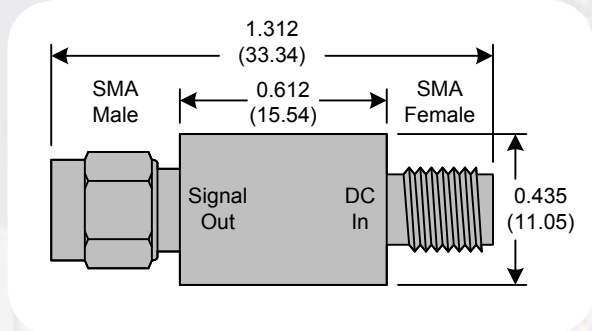
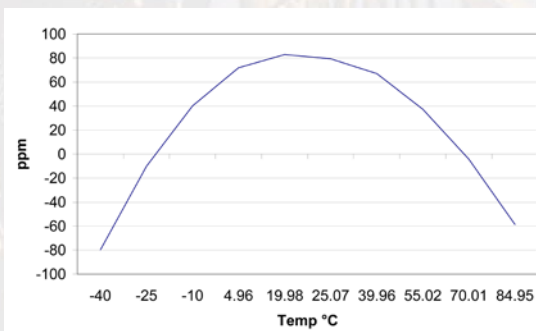
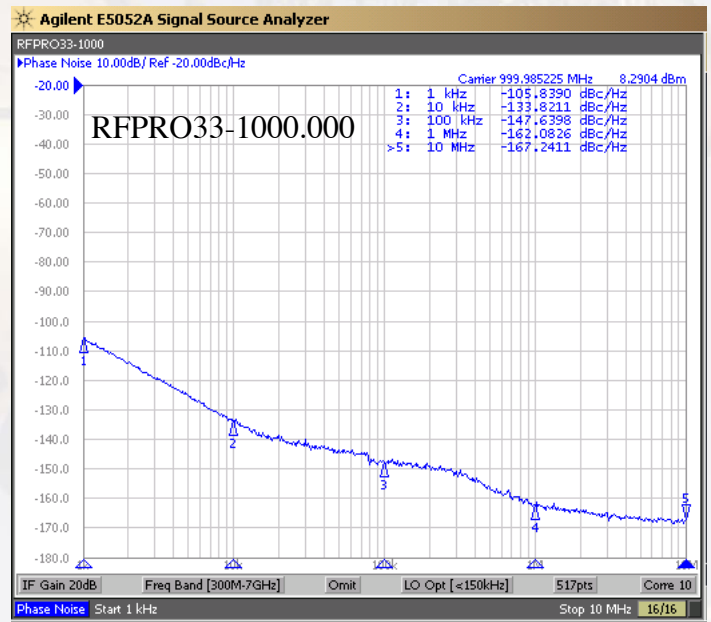
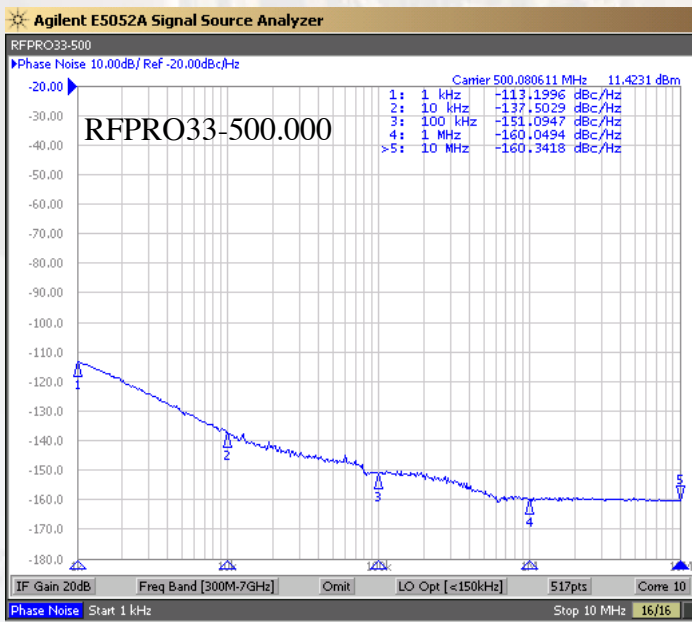
CRYSTEK
MICROWAVE
A DIVISION OF CRYSTEK CORPORATION

RF POCKET REFERENCE OSCILLATOR

Temperature Range: -20°C to +70°C
Storage: -45°C to 90°C
Input Voltage: +3.3V ± 0.15V
Freq. vs Temp.(Typ.) +100ppm / -150ppm
Input Current: 20mA Typ., 25mA Max

Output: SineWave
Output Power: +7dBm Min. into 50 Ohm Load
Start-up Time: 2ms Typ., 10ms Max
2nd Harmonics: -14dBc Typ., -10dBc Max
Sub-harmonics: none
Phase Jitter: 12KHz~80MHz
 <1ps RMS (1-sigma) Max

Visit our Website for additional Information
WWW.CRYSTEK.COM



CRYSTEK
CORPORATION

12730 COMMONWEALTH DRIVE • FORT MYERS, FL 33913
 PHONE: 239-561-3311 • 800-237-3061
 FAX: 239-561-1025 • WWW.CRYSTEK.COM

Rev: A
 Date: 06-29-09